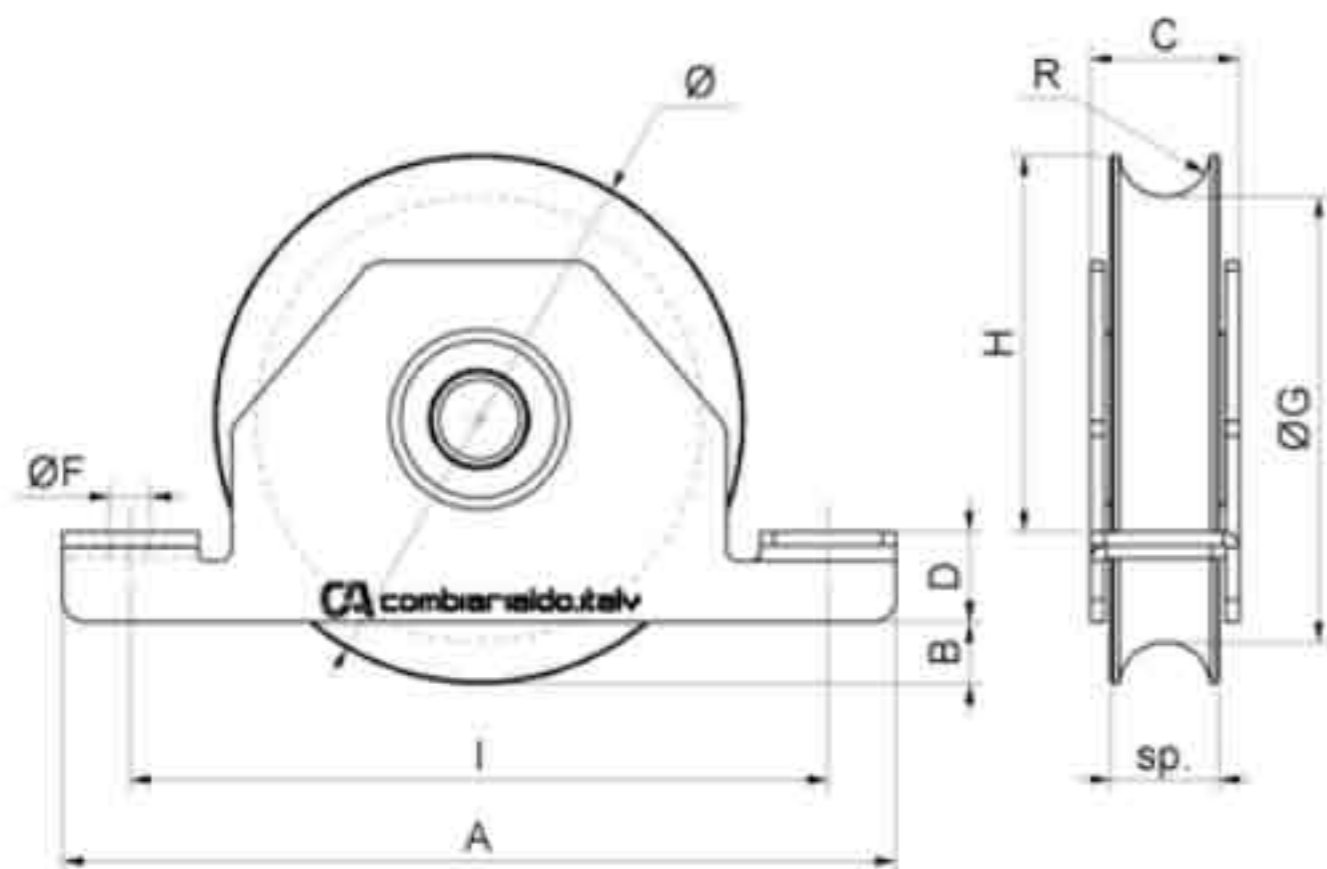


## art. 425

Ruota gola tonda 1 cuscinetto supporto interno



| 1 |

| <b>Ø</b>      | <b>A</b> | <b>B</b> | <b>C</b> | <b>D</b> | <b>ØF</b> | <b>ØG</b> | <b>H</b> | <b>I</b> | <b>Sp</b> | <b>R</b> | <b>Cuscinetti</b> | <b>Binario</b>  | <b>Portata</b> | <b>Pz./Pcs.</b> |
|---------------|----------|----------|----------|----------|-----------|-----------|----------|----------|-----------|----------|-------------------|-----------------|----------------|-----------------|
| <b>70</b>     | 135      | 7        | 33       | 17       | Ø9        | Ø54       | 44       | 110      | 20        | 8,3      | 1                 | art.900-902 Ø16 | 190 Kg.        | 6               |
| <b>80</b>     | 135      | 12       | 33       | 17       | Ø9        | Ø64       | 49       | 110      | 20        | 8,3      | 1                 | art.900-902 Ø16 | 200 Kg.        | 4               |
| <b>80/20</b>  | 135      | 12       | 33       | 17       | Ø9        | Ø59       | 49       | 110      | 24        | 10,3     | 1                 | art.900-902 Ø20 | 200 Kg.        | 4               |
| <b>90</b>     | 155      | 9        | 33       | 18       | Ø9        | Ø74       | 61       | 130      | 21        | 8,3      | 1                 | art.900-902 Ø16 | 210 Kg.        | 6               |
| <b>90/20</b>  | 155      | 9        | 33       | 18       | Ø9        | Ø69       | 61       | 130      | 24        | 10,3     | 1                 | art.900-902 Ø20 | 210 Kg.        | 6               |
| <b>100</b>    | 155      | 14       | 33       | 18       | Ø9        | Ø84       | 66       | 130      | 21        | 8,3      | 1                 | art.900-902 Ø16 | 230 Kg.        | 6               |
| <b>100/20</b> | 155      | 14       | 33       | 18       | Ø9        | Ø79       | 66       | 130      | 24        | 10,3     | 1                 | art.900-902 Ø20 | 230 Kg.        | 6               |
| <b>120</b>    | 185      | 14       | 32       | 20       | Ø9        | Ø99       | 84       | 155      | 24        | 10,3     | 1                 | art.900-902 Ø20 | 250 Kg.        | 6               |
| <b>140</b>    | 205      | 15       | 32       | 22       | Ø11       | Ø117      | 100      | 175      | 24        | 10,3     | 1                 | art.900-902 Ø20 | 280 Kg.        | 4               |
| <b>160</b>    | 225      | 20       | 37       | 24       | Ø11       | Ø137      | 113      | 195      | 25        | 10,3     | 1                 | art.900-902 Ø20 | 300 Kg.        | 2               |